



ENGINEERING AND MANUFACTURING: TOOLS FOR EXHAUST SYSTEMS

NOVO S.R.L.
VIA BRUNO STEFANAT, 48 - 10078 VENARIA REALE (TO) - ITALY
TELEPHONE: +39 011.49.57.58 FAX: +39 011.49.63.87 MAIL: NOVO@NOVOSRL.IT WEB SITE: WWW.NOVOSRL.IT



COMPANY

NOVO S.R.L.

VIA BRUNO STEFANAT, 48 - 10078 VENARIA REALE (TO) - ITALY

TELEPHONE: +39 011.49.57.58 FAX: +39 011.49.63.87 MAIL: NOVO@NOVOSRL.IT WEB SITE: WWW.NOVOSRL.IT



Company

- ❑ Novo srl has been founded in 1973 from Vittorio Novo.
- ❑ Plant is located in a 2.200 m² area of which 1.100 m² are covered.
- ❑ Company works in design and production of mechanical equipment.
- ❑ Plant production is equipped with advanced solutions in milling and turning machining work.
- ❑ Main focus is dedicated to engineering and manufacturing of tools for exhaust systems.
- ❑ Novo srl experience and know-how allows the company to support customer in defining best tooling solutions for pipe production for exhaust systems.

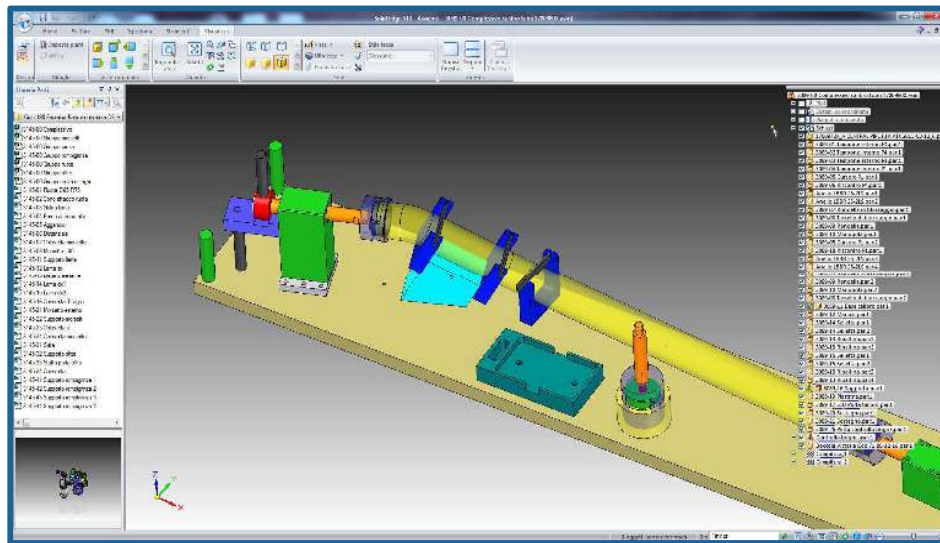
NOVO S.R.L.

VIA BRUNO STEFANAT, 48 - 10078 VENARIA REALE (TO) - ITALY

TELEPHONE: +39 011.49.57.58 FAX: +39 011.49.63.87 MAIL: NOVO@NOVOSRL.IT WEB SITE: WWW.NOVOSRL.IT



Technical department



- N°3 employees
- N°3 CAD workstations with Software Solid Edge
- N°3 CAD – CAM workstations with Software Mastercam

NOVO S.R.L.

VIA BRUNO STEFANAT, 48 - 10078 VENARIA REALE (TO) - ITALY

TELEPHONE: +39 011.49.57.58 FAX: +39 011.49.63.87 MAIL: NOVO@NOVOSRL.IT WEB SITE: WWW.NOVOSRL.IT



Production plant

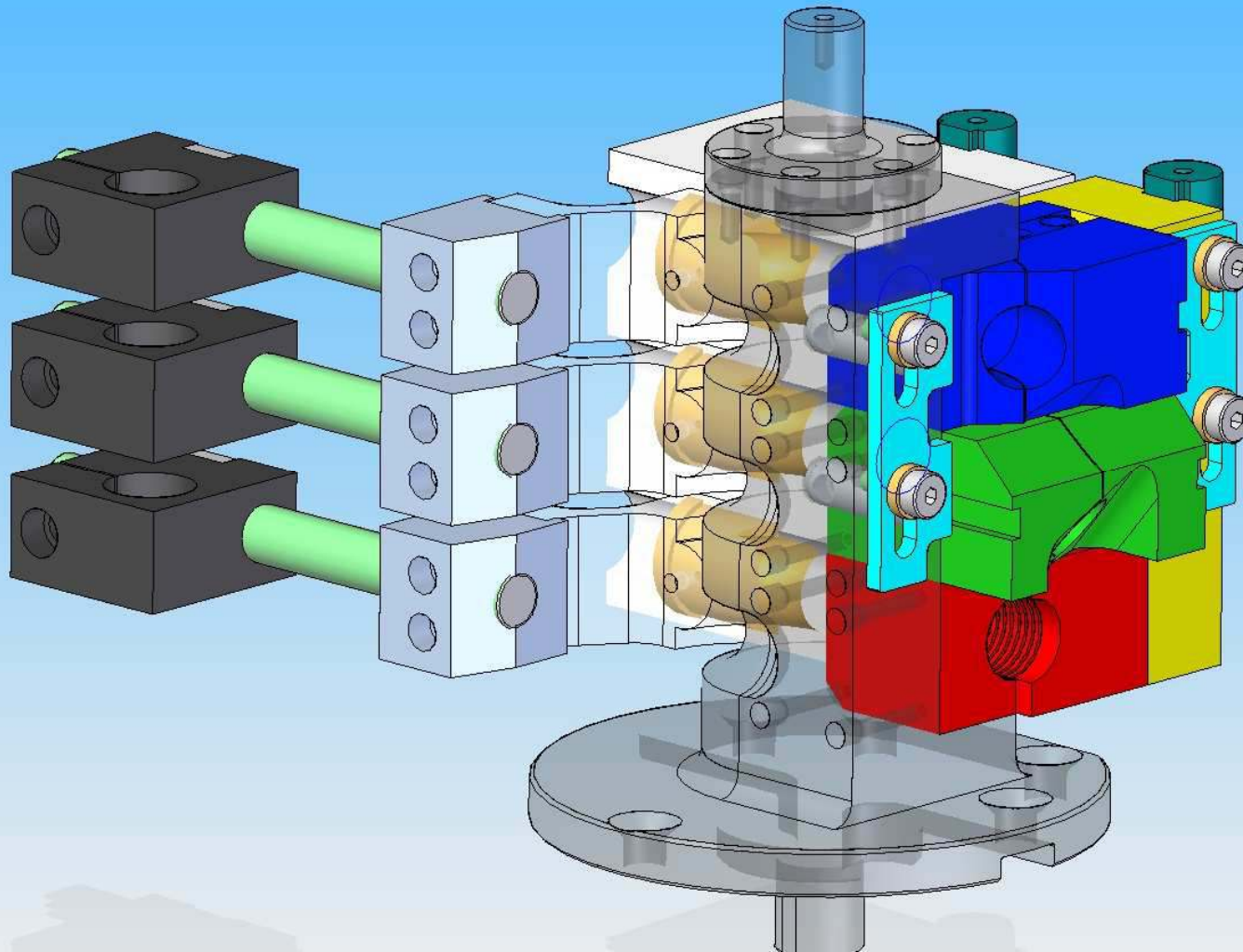


- N°12 Employees
- N°1 CNC machining center with 5 axis
- N°4 CNC machining center
- N°5 CNC milling machine
- N°1 CNC turning center with 5 axis
- N°4 Milling machine
- N°2 Lathe
- Metrological lab equipped with 3D measure machine

NOVO S.R.L.

VIA BRUNO STEFANAT, 48 - 10078 VENARIA REALE (TO) - ITALY

TELEPHONE: +39 011.49.57.58 FAX: +39 011.49.63.87 MAIL: NOVO@NOVOSRL.IT WEB SITE: WWW.NOVOSRL.IT



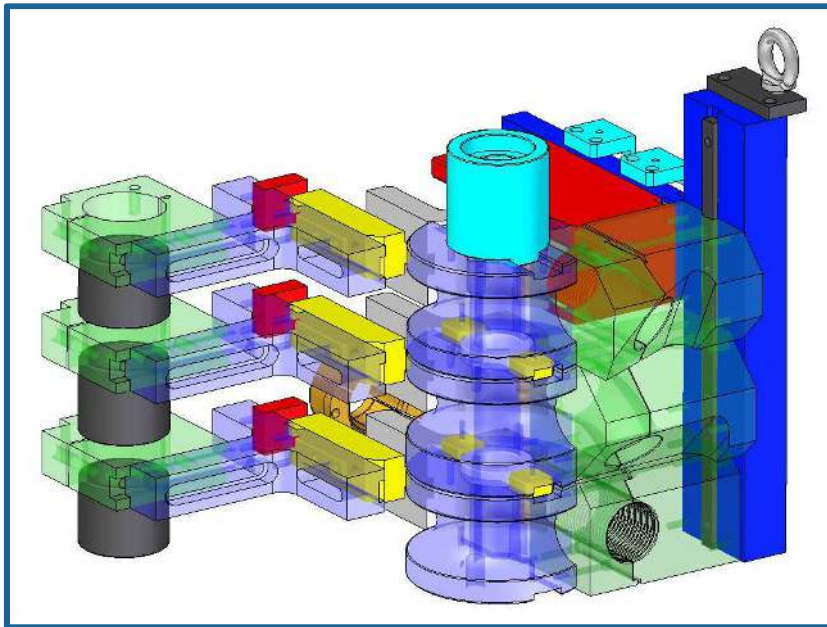
PRODUCTS

NOVO S.R.L.

VIA BRUNO STEFANAT, 48 - 10078 VENARIA REALE (TO) - ITALY

TELEPHONE: +39 011.49.57.58 FAX: +39 011.49.63.87 MAIL: NOVO@NOVOSRL.IT WEB SITE: WWW.NOVOSRL.IT

Bending tooling



□ Production of all components to be used in complete bending sets:

- Bend dies
- Clamp dies
- Pressure dies
- Wiper dies holders and inserts
- Mandrels
- Collets

□ Experience with different machine brands:

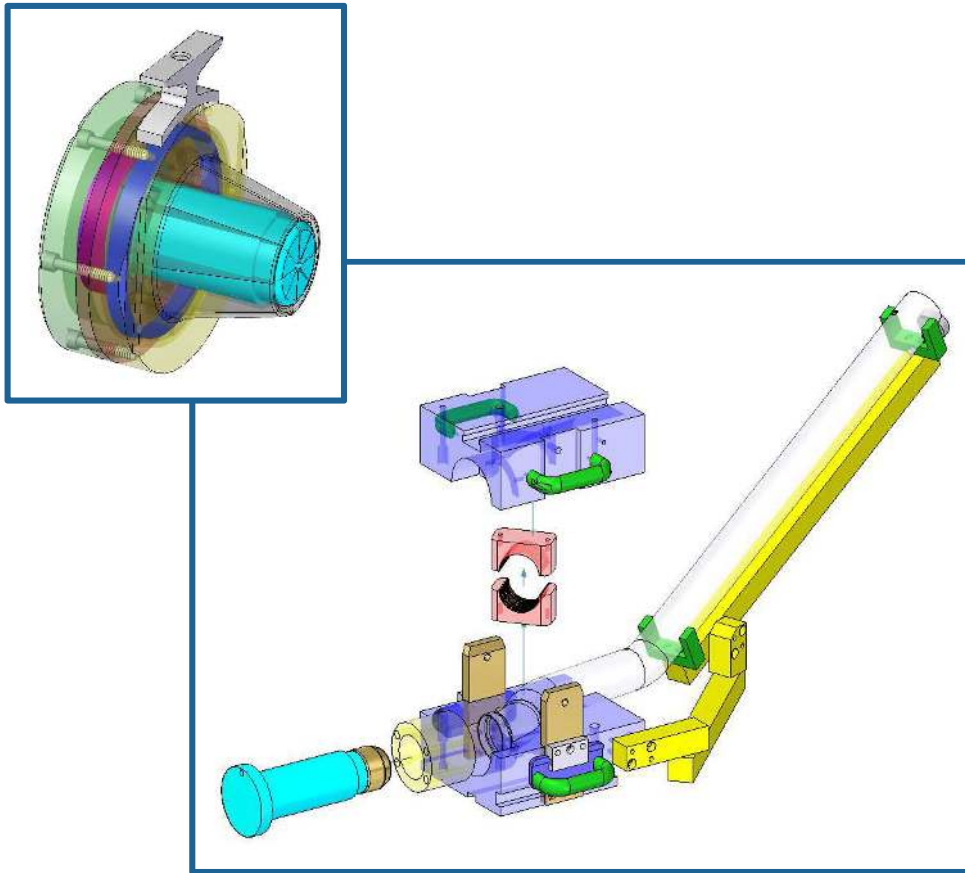
- Crippa
- BLM
- Schwarze Robitec
- YLM

NOVO S.R.L.

VIA BRUNO STEFANAT, 48 - 10078 VENARIA REALE (TO) - ITALY

TELEPHONE: +39 011.49.57.58 FAX: +39 011.49.63.87 MAIL: NOVO@NOVOSRL.IT WEB SITE: WWW.NOVOSRL.IT

Tube end-forming tools



Different end-forming solutions:

□ Axial end-forming tools

- Calibrating
- Reducing
- Marking
- Rolling
- Oval shapes

□ Radial end-forming tools

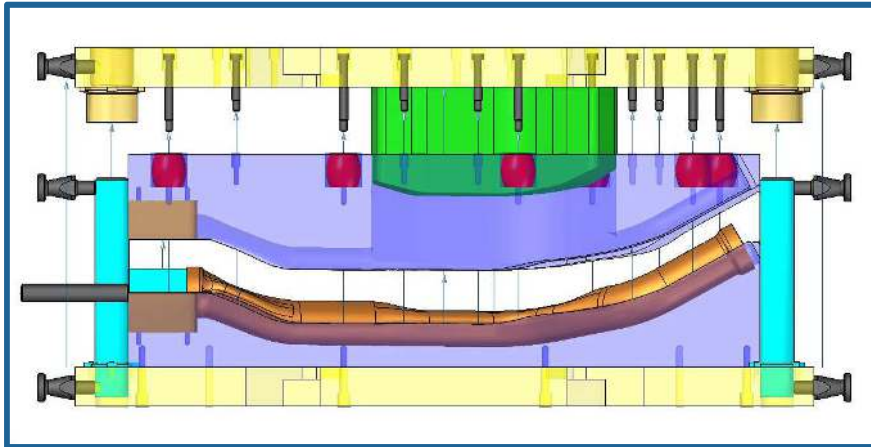
- Inside-Outside calibrating
- Reducing
- Expanding

NOVO S.R.L.

VIA BRUNO STEFANAT, 48 - 10078 VENARIA REALE (TO) - ITALY

TELEPHONE: +39 011.49.57.58 FAX: +39 011.49.63.87 MAIL: NOVO@NOVOSRL.IT WEB SITE: WWW.NOVOSRL.IT

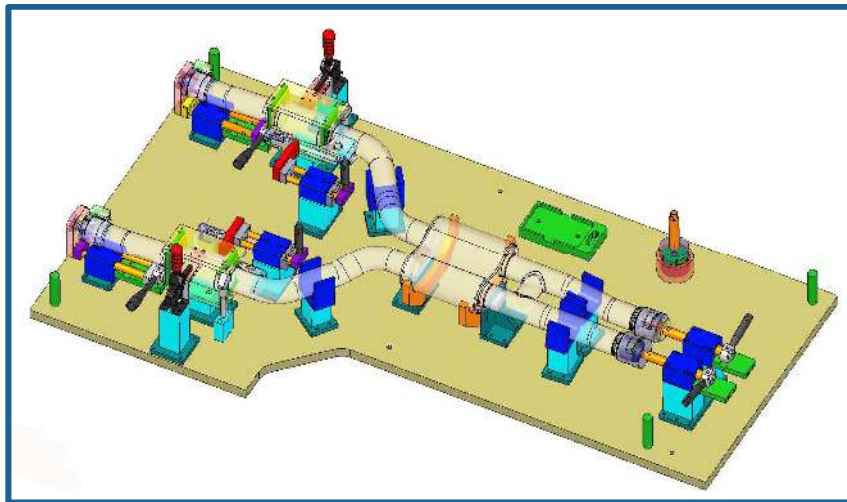
Moulding and stamping tools



- Novo srl offers different types of moulding and stamping tools according to pipe shapes.



Checking gauges



- ❑ Checking gauges are designed and built according to different customer needs:
 - Bending gauges
 - Final pipe gauges
 - Complete assembly gauges
 - Go – No go gauges

- ❑ All checking gauges are supplied with dimensional report.

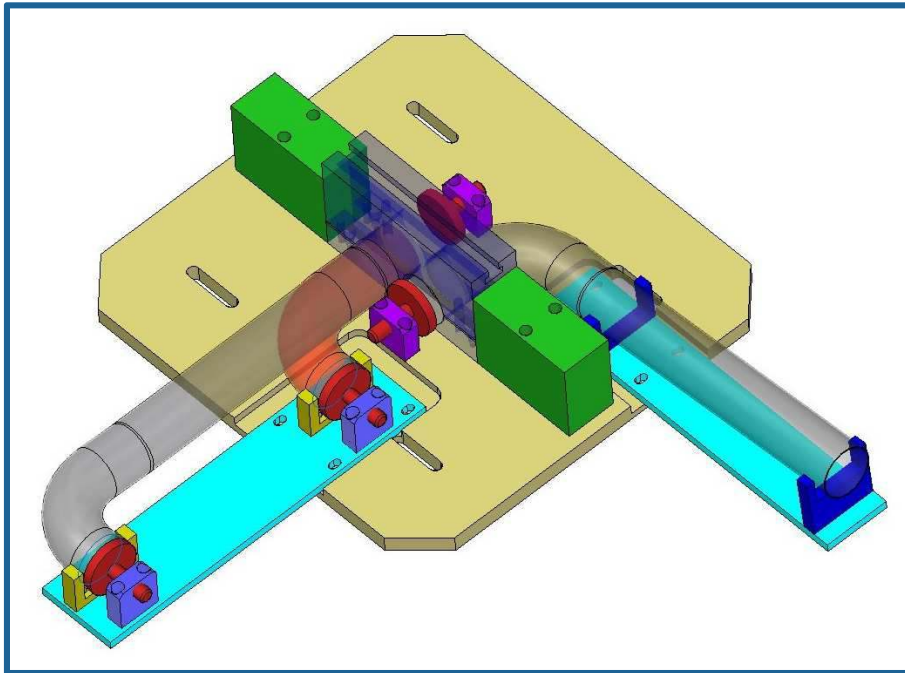
NOVO S.R.L.

VIA BRUNO STEFANAT, 48 - 10078 VENARIA REALE (TO) - ITALY

TELEPHONE: +39 011.49.57.58 FAX: +39 011.49.63.87 MAIL: NOVO@NOVOSRL.IT WEB SITE: WWW.NOVOSRL.IT



Cutting and welding fixtures



- Cutting jigs for sawing machines
- Assembly fixtures
- Devices for welding robots
- Manual welding fixtures

NOVO S.R.L.

VIA BRUNO STEFANAT, 48 - 10078 VENARIA REALE (TO) - ITALY

TELEPHONE: +39 011.49.57.58 FAX: +39 011.49.63.87 MAIL: NOVO@NOVOSRL.IT WEB SITE: WWW.NOVOSRL.IT



REFERENCES

NOVO S.R.L.

VIA BRUNO STEFANAT, 48 - 10078 VENARIA REALE (TO) - ITALY

TELEPHONE: +39 011.49.57.58 FAX: +39 011.49.63.87 MAIL: NOVO@NOVOSRL.IT WEB SITE: WWW.NOVOSRL.IT

Certified



□ N. 894 QM | ISO 9001:2015

Customers



martor



KÖNIG METALL

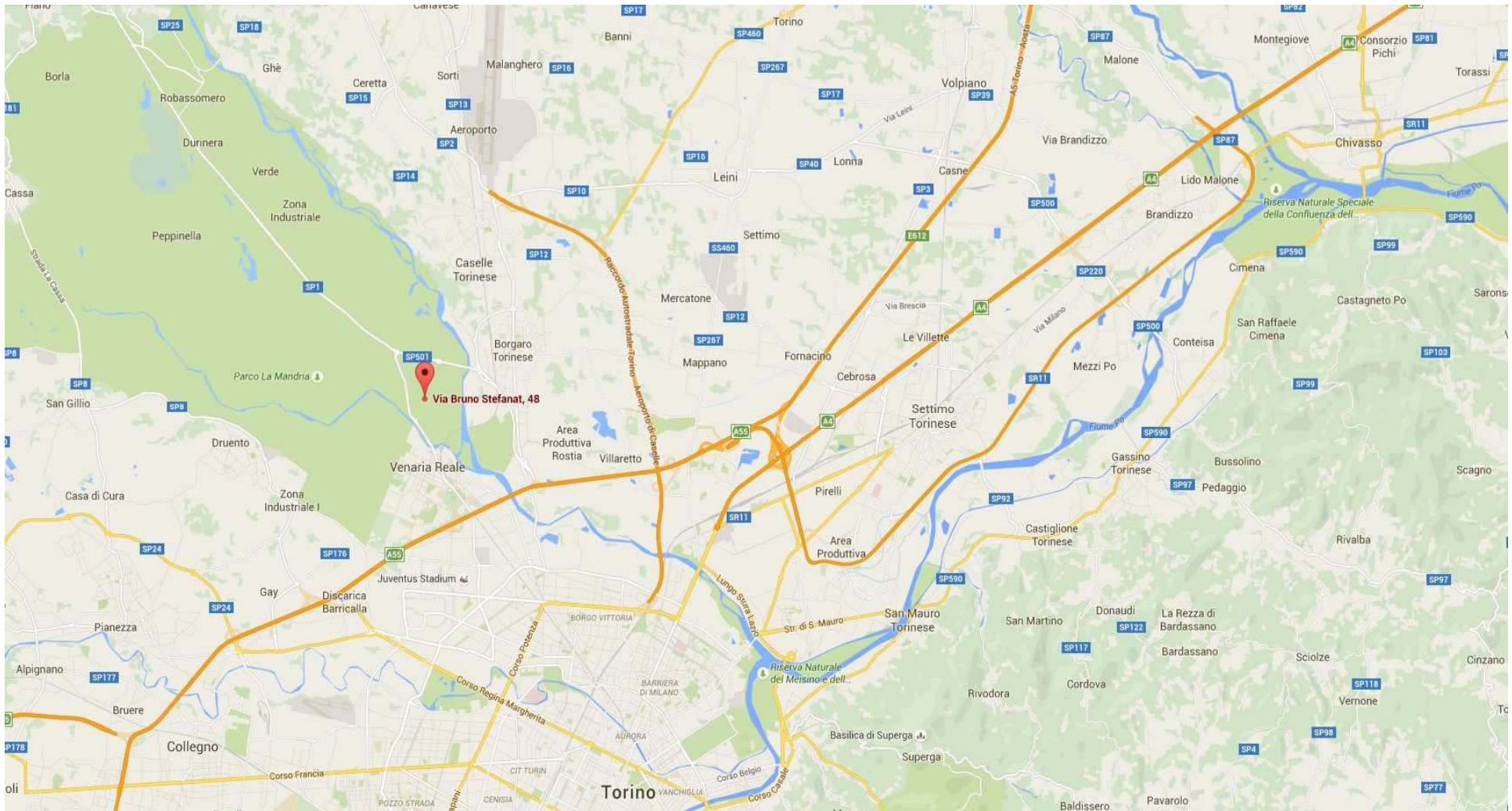
P. & V. s.r.l.



NOVO S.R.L.

VIA BRUNO STEFANAT, 48 - 10078 VENARIA REALE (TO) - ITALY

TELEPHONE: +39 011.49.57.58 FAX: +39 011.49.63.87 MAIL: NOVO@NOVOSRL.IT WEB SITE: WWW.NOVOSRL.IT



CONTACTS

NOVO S.R.L.

VIA BRUNO STEFANAT, 48 - 10078 VENARIA REALE (TO) - ITALY

TELEPHONE: +39 011.49.57.58 FAX: +39 011.49.63.87 MAIL: NOVO@NOVOSRL.IT WEB SITE: WWW.NOVOSRL.IT



Contacts

Address: Via Bruno Stefanat, 48 – 10078 Venaria Reale (TO) – Italy

Telephone: +39 011.49.57.58

Fax: +39 011.49.63.87

Mail: novo@novosrl.it

PEC (Certified Electronic Mail): novosrl@legalmail.it

Technical department: luca.novo@novosrl.it

Sales department: vittorio.novo@novosrl.it

Quality department: andrea.campasso@novosrl.it

Web site: www.novosrl.it